

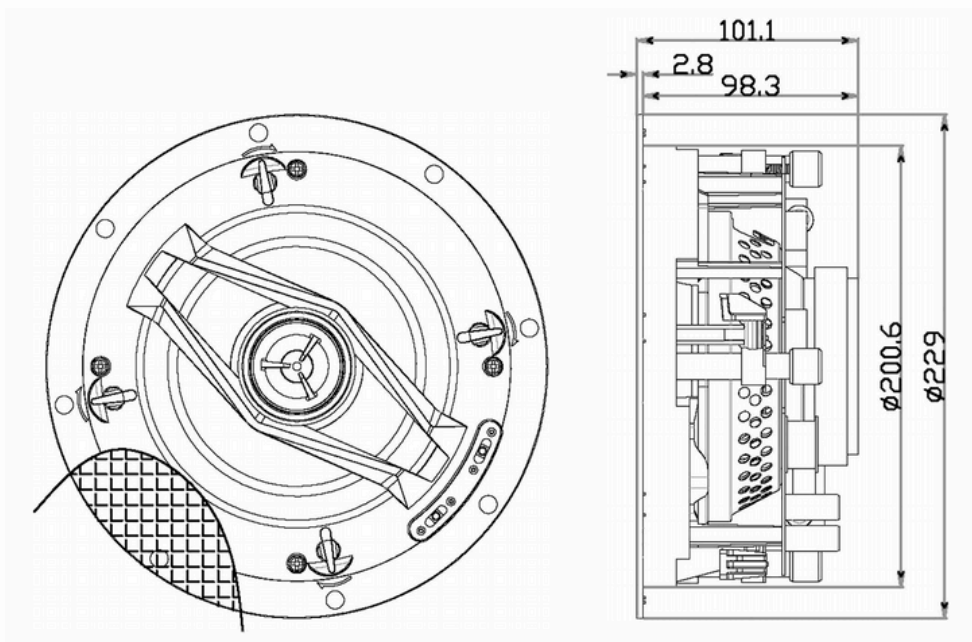
## KRYM C65

Co-axial Atmos ceiling speaker with 1X6.5"LF and 1 X 1" dome tweeter (25W)



### FEATURES

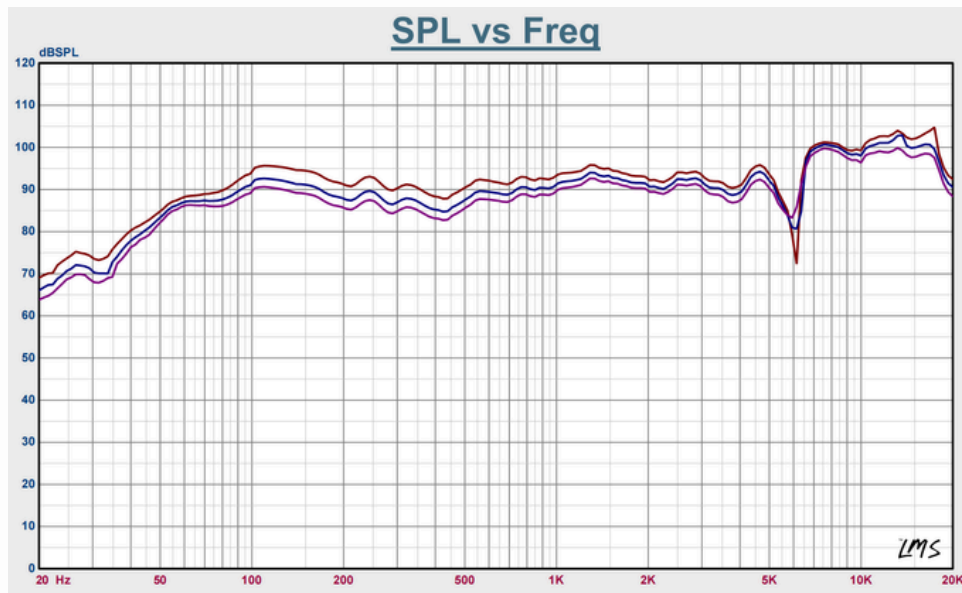
- Rimless design
- In built trim for HF and LF
- Suitable as height channels for smaller rooms
- Magnetic grille
- Quick installation mechanism
- Single 6.5" driver and triple 1" HF



## KRYM 82 SPECIFICATIONS

Design	Co-axial In ceiling speaker
Frequency response	65 Hz - 20 kHz
Transducers	1 x 6.5" LF 1 X 1" HF
Sensitivity	86 dB (± 3)
Max Amplifier Power	107 dB
Impedance	8 Ω
Long term power	25 W
Max Amplifier Power	40 W
Hole cut out size	98.3 (H) X 200.6(D) mm
Dimensions	101.1 (H) X 229 (D) mm
Net weight	1.8 Kg

## FREQUENCY RESPONSE



## APPLICATIONS

### ATMOS SPEAKERS FOR PREVIEW THEATRES / HOME CINEMA

*\*Specifications subject to change without notice. 01/2023*

#### Head Office

Alpha Acoustics  
Vinecká 1,  
293 01 Mladá Boleslav  
Czech Republic  
info@alphacoustics.com

#### EMEA Office

Alpha Acoustics DWC-LLC  
BUILDING A3, Office No. DLC-BC-A3-3-OSSD6-04  
Dubai South Business Center,  
Dubai Logistics City  
Dubai, United Arab Emirates