

KLINE 3

4 X 3", 100/400 W passive
line source speaker



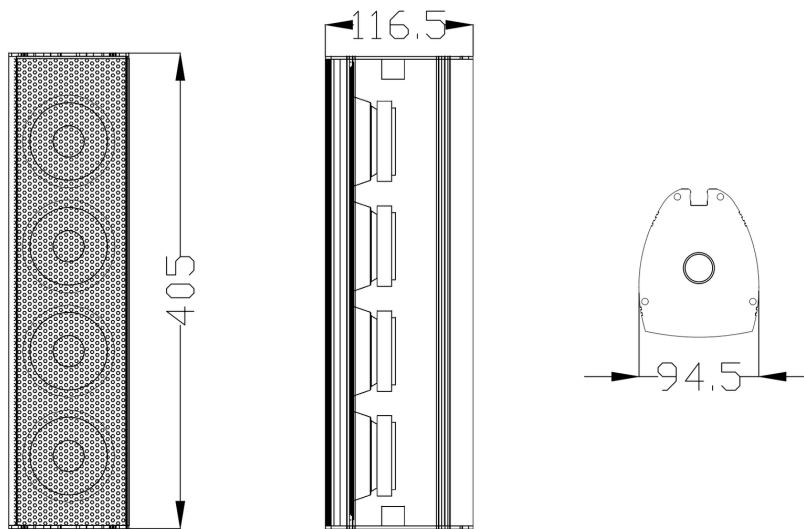
FEATURES

- **Robust aluminum casing**
- **High speech intelligibility for acoustically challenging environments**
- **4 X 3" full range drivers provide improved SPL coverage for up to 10m.**
- **120° horizontal coverage**
- **Perfect for meeting rooms to provide speech and foreground music.**
- **Small form factor suitable for houses of worship and halls**

The Alpha Acoustics KLINE 3 is a small form factor line source speaker that is best suited for conference halls, training rooms, houses of worship, airports & metros. The speaker provides a wide 120° horizontal coverage and a vertical opening angle of 15°, which ensures great speech intelligibility in acoustically challenging environments.

KLIN 3 SPECIFICATIONS

Frequency response	110 Hz - 19 kHz
Transducers	4 X 3"
Directivity	120° (H) X 15° (V)
Sensitivity	93 dB
Maximum SPL	120 dB
Impedance	8 Ω
Long term power	100 W
Peak Power	400 W
Input Connectors	Phoenix connectors
Housing	Aluminum
Dimensions	405 (H) X 116.5 (D) X 94.5 (W) mm
Net weight	3.3 Kg



APPLICATIONS

**Conference Rooms | Airports & Metros | Houses of worship
Town Halls**

**Specifications subject to change without notice. 01/2025*

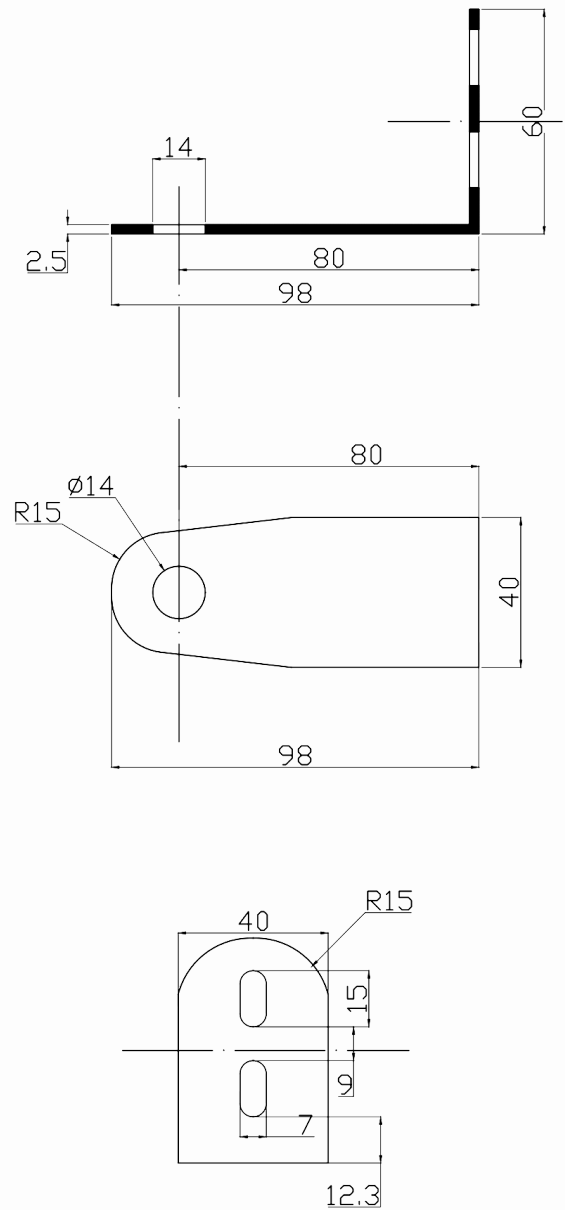
Head Office

Alpha Acoustics
Vinecká 1,
293 01 Mladá Boleslav
Czech Republic
info@alphacoustics.com

EMEA Office

Alpha Acoustics DWC-LLC
BUILDING A3, Office No. DLC-BC-A3-3-OSSD6-04
Dubai South Business Center,
Dubai Logistics City
Dubai, United Arab Emirates

CLAMP DETAILS



Head Office
 Alpha Acoustics
 Vinecká 1,
 293 01 Mladá Boleslav
 Czech Republic
 info@alphacoustics.com

EMEA Office
 Alpha Acoustics DWC-LLC
 BUILDING A3, Office No. DLC-BC-A3-3-OSSD6-04
 Dubai South Business Center,
 Dubai Logistics City
 Dubai, United Arab Emirates