

KLINE 12

12 X 3", 360W passive line
source speaker



FEATURES

- **Robust aluminum casing**
- **High speech intelligibility for acoustically challenging environments**
- **12 X 3" drivers provide improved SPL coverage for up to 20m.**
- **Phoenix connectors**
- **Small form factor suitable for houses of worship and halls**

The Alpha Acoustics KLINE 12 is a small form factor line source speaker that is best suited for conference halls, training rooms, houses of worship, airports & metros. The speaker provides a 120° horizontal coverage and a vertical opening angle of 15°, which ensures great speech intelligibility in acoustically challenging environments.

KLINE 12 SPECIFICATIONS

Frequency response	80 Hz - 19 kHz
Transducers	12 X 3" Full range drivers
Directivity	120° (H) X 15° (V)
Sensitivity	97 dB
Maximum SPL	127 dB
RMS	360 W
Peak Power	1440 W
Impedance	6 Ohm
Input Connectors	Phoenix connector
Dimensions	1265 (H) X 94.5 (W) X 116.5 (D) mm
Net weight	10 Kg

APPLICATIONS

**Conference Rooms | Airports & Metros | Houses of worship
Town Halls**

**Specifications subject to change without notice. 01/2025*

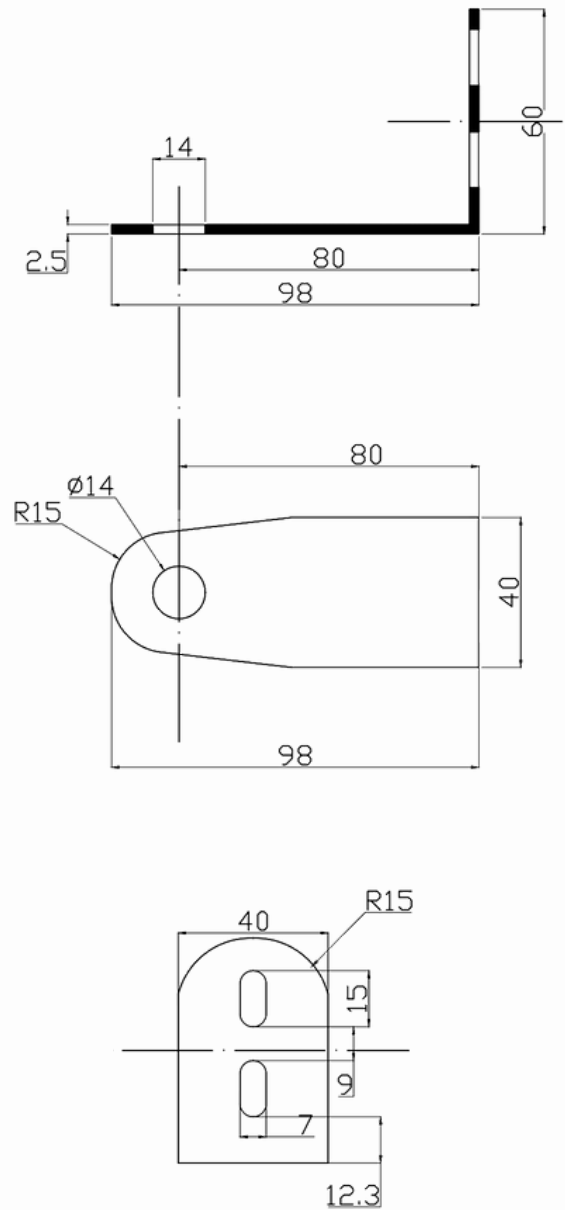
Head Office

Alpha Acoustics
Vinecká 1,
293 01 Mladá Boleslav
Czech Republic
info@alphacoustics.com

EMEA Office

Alpha Acoustics DWC-LLC
A3 Business Center,
Dubai Aviation City Corporation,
Dubai, United Arab Emirates

BRACKET DETAILS



Head Office
 Alpha Acoustics
 Vinecká 1,
 293 01 Mladá Boleslav
 Czech Republic
 info@alphacoustics.com

EMEA Office
 Alpha Acoustics DWC-LLC
 A3 Business Center,
 Dubai Aviation City Corporation,
 Dubai, United Arab Emirates